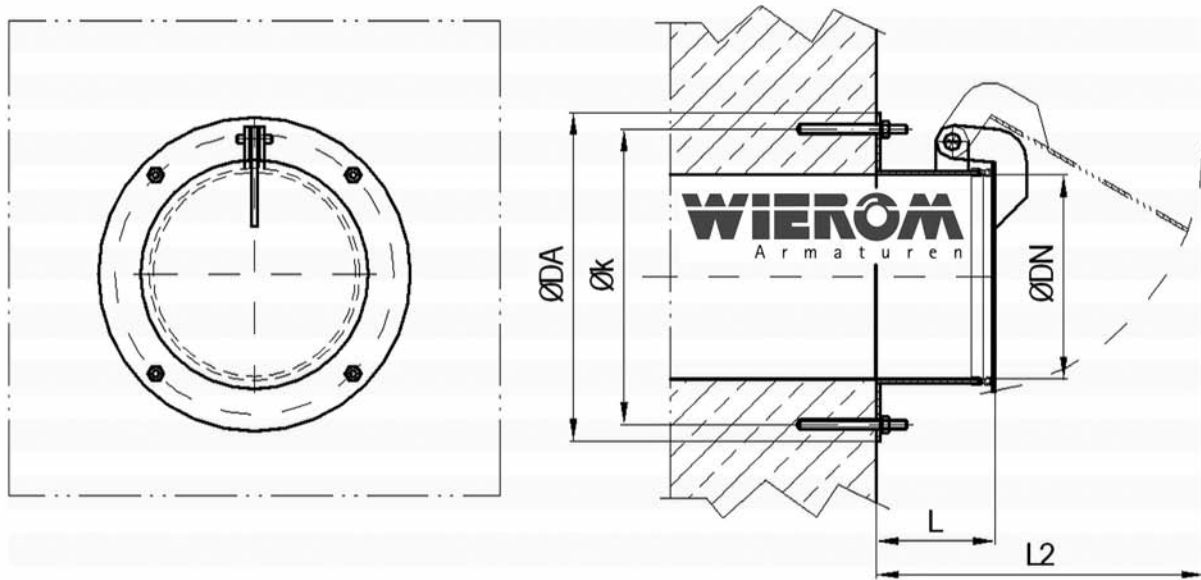


11. WIEROM Check valve – RÜK

11.1 WIEROM Check valve – RÜK 1 (for open channels of up to DN 500)



11.1.1 Application

Backflow prevention for round openings (open channels) with rated widths of up to DN 500.

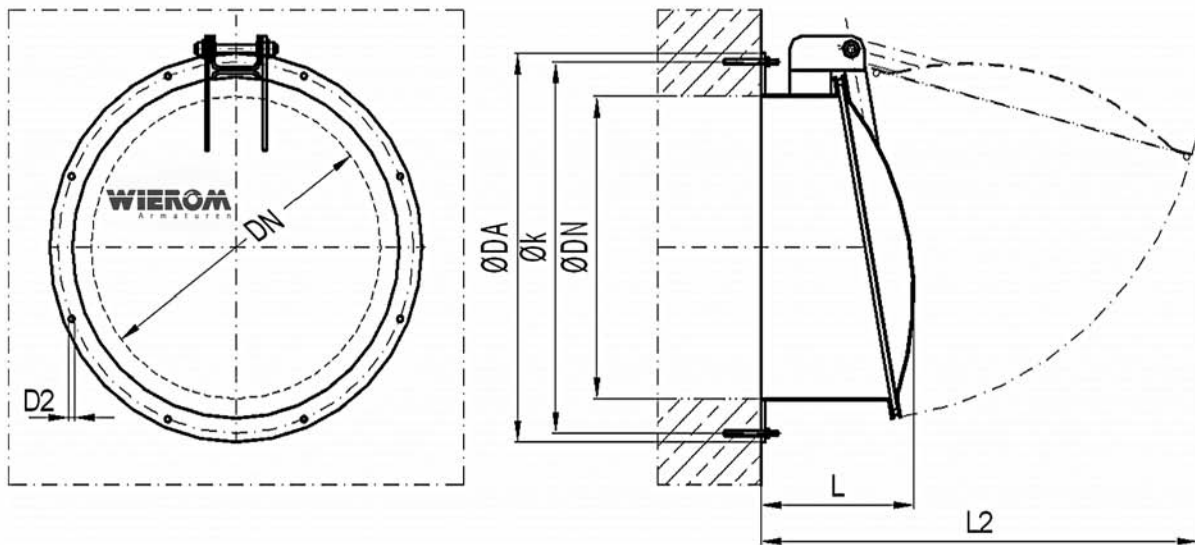
11.1.2 Design properties

Frame designed as a welded construction for anchor attachment to a level concrete wall.
Sealing provided by a slip-on profile gasket.

11.1.3 Rated widths

DN 100 to DN 500 mm.

11.2 WIEROM Check valve – RÜK 2 (for open channels wider than DN 500)



11.2.1 Application

Backflow prevention for round or rectangular openings (open channels) > DN 500.

11.2.2 Design properties

Frame designed as a welded construction for anchor attachment to a level concrete wall. Sealing provided by a profile gasket screwed to the cover.

11.2.3 Rated widths

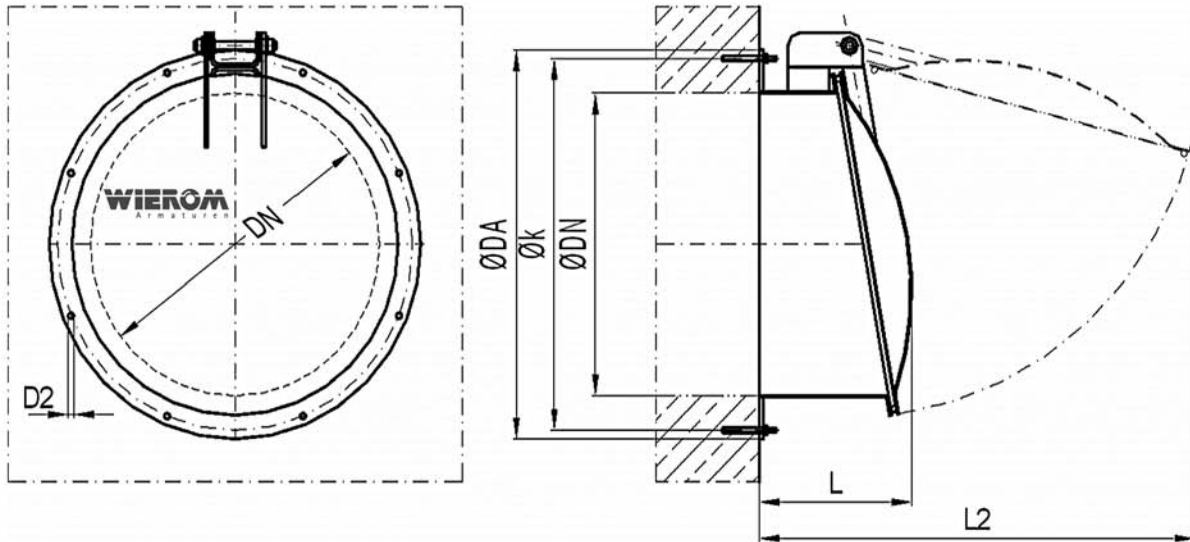
DN 600 to DN 2,000 mm or w x h 600 x 600 – 2,000 x 2,000 mm.

Larger dimensions available on request.

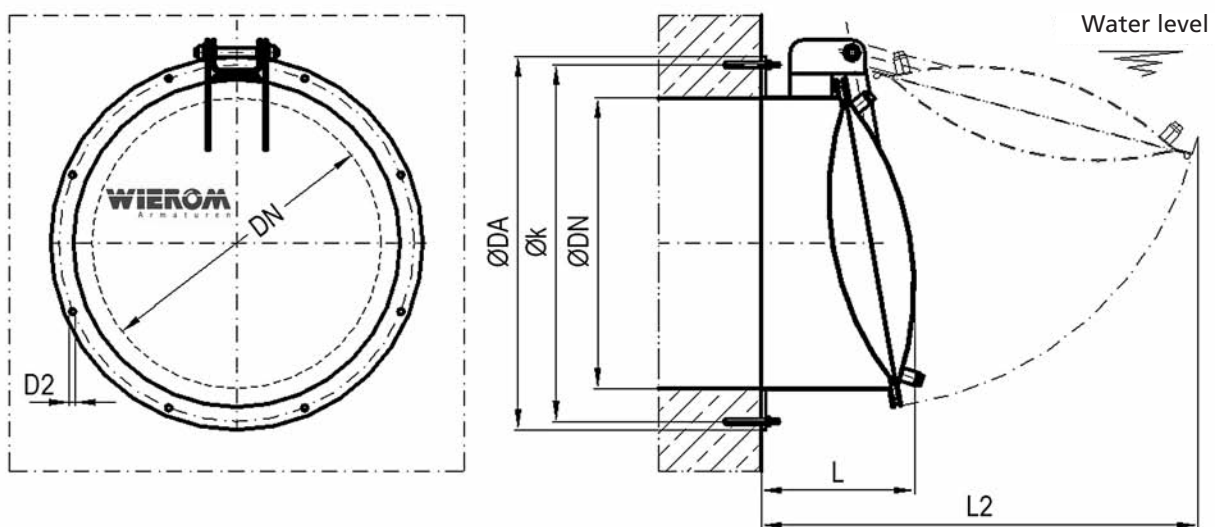
WIEROM Check valve – RÜK

11.2.4 Designs

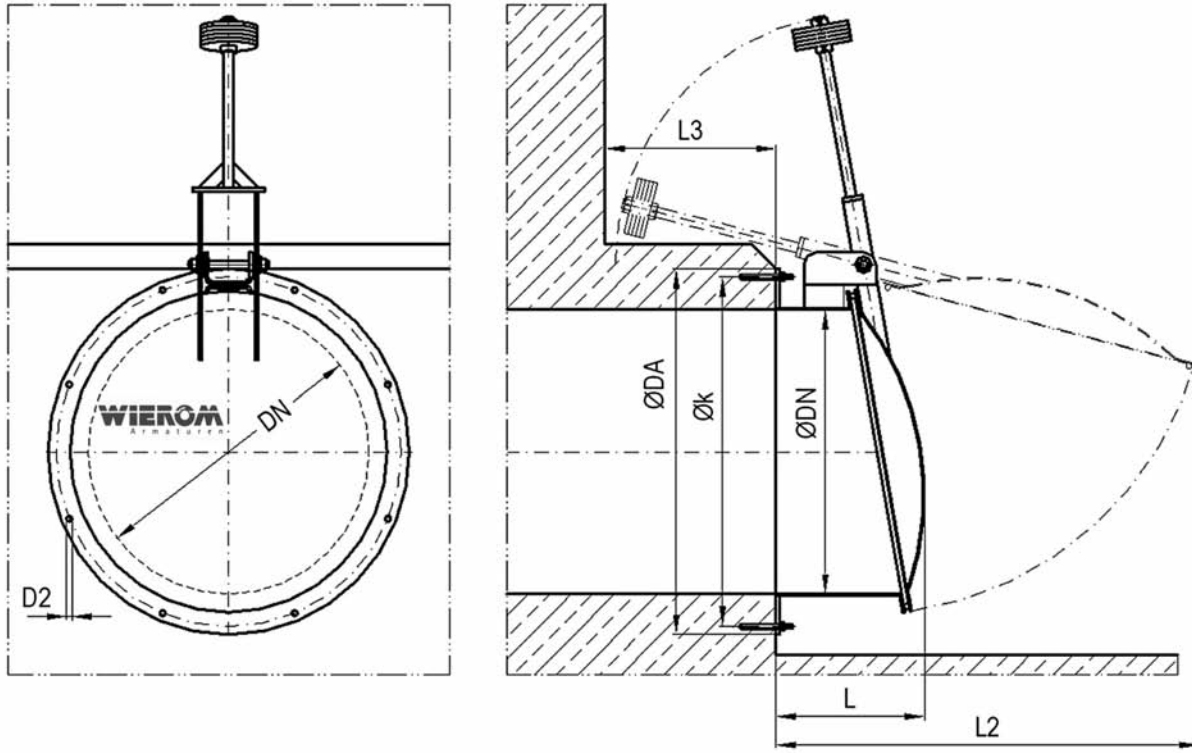
11.2.5 WIEROM Check valve with simple cover – RÜK 2E (for open channels)



11.2.6 WIEROM Check valve with hollow cover – RÜK 2S (for open channels)

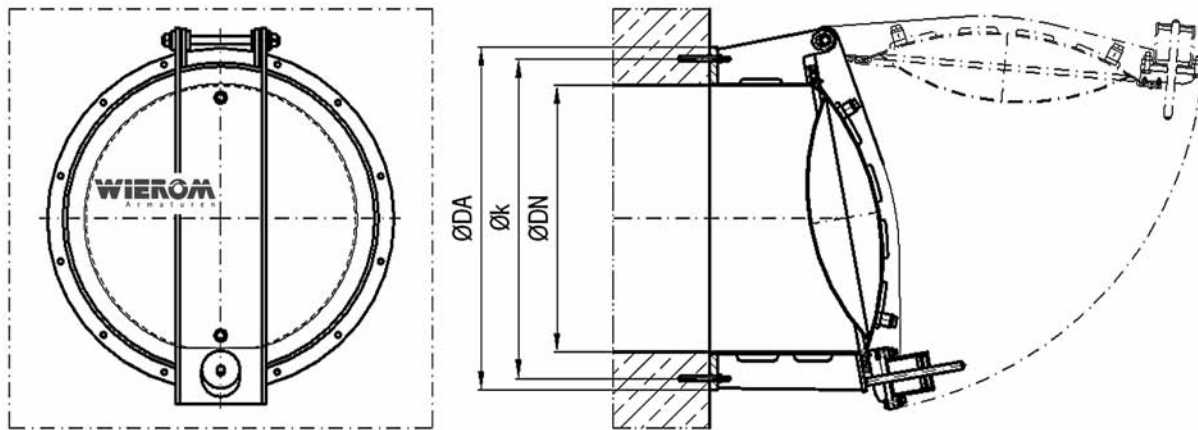


11.2.7 WIEROM Check valve with counterweight – RÜK 2G (for open channels)



WIEROM Check valve – RÜK

11.3 WIEROM Check valve with impact absorption – RÜK SD (for pump lines)



11.3.1 Application

Backflow prevention for round or rectangular openings (pump lines).

11.3.2 Design properties

Reinforced frame designed as a welded construction for anchor attachment to a level concrete wall or mounting to a flange. Sealing provided by a profile gasket screwed to the cover. Impact absorption to reduce the blows resulting from switching on the pump.

11.3.3 Rated widths

DN 250 to DN 2,000 mm. **Larger dimensions available on request.**

11.4 Dimensions (mm) and weights (kg)

DN	100	150	200	250	300	350	400	500
L	140	150	155	165	175	185	345	363
L2	300	350	400	450	500	550	780	880
Weight	4	6	9	11	15	18	33	40

DN	600	700	800	900	1000	1100	1200	1300	1400	1500	1600	1700	1800
L	380	398	465	492	519	545	572	599	625	652	679	706	732
L2	980	1080	1230	1330	1430	1530	1610	1710	1810	1910	2010	2110	2210
L3	300	400	500	600	700	800	900	1000	1100	1200	1300	1400	1500
LH	710	810	920	1020	1120	1220	1320	1420	1520	1872	1720	1820	1920
FD	8	8	10	10	10	10	10	10	10	10	10	10	10
Weight	60	71	83	96	110	135	183	204	225	249	274	341	373

11.5 Dimensions

11.5.1 Flanges drilled in accordance with PN 10

DN	100	150	200	250	300	350	400	500
DA	220	285	340	395	445	505	565	670
Ø k	180	240	295	350	400	460	515	620
Number of drill holes	8	8	8	12	12	12	16	20
Ø D2	18	22	22	22	22	22	26	26
Scews acc. to DIN 1)	16	20	20	20	20	20	24	24

DN	600	700	800	900	1000	1100	1200	1300	1400	1500	1600	1700	1800
DA	780	895	1015	1115	1230		1455		1675		1915		2115
Ø k	725	840	950	1050	1160		1380		1590		1820		2020
Number of drill holes	20	24	24	28	28		32		36		40		44
Ø D2	30	30	33	33	36		39		42		48		48
Scews acc. to DIN 1)	M 27	M 27	M 30	M 30	M 33		M 36		M 39		M 45		M 45

11.5.2 Flanges for anchor attachment (walls according to DIN 18202, table 3, line 7)

DN	100	150	200	250	300	350	400	500
DA	300	350	400	450	500	550	600	700
Ø k	260	310	360	410	460	510	560	660
Drill holes	4	4	4	4	4	4	8	8
Ø D2	14	14	14	14	14	14	14	14
Fastening material 1)	Composite anchor M 10							

DN	600	700	800	900	1000	1100	1200	1300	1400	1500	1600	1700	1800
DA	800	900	1000	1100	1200	1300	1400	1500	1600	1700	1800	1900	2000
Ø k	760	860	960	1060	1160	1260	1360	1460	1560	1660	1760	1860	1960
Number of drill holes	8	8	12	12	12	12	16	16	16	20	20	20	24
Ø D2	14	14	14	14	14	14	14	14	14	14	14	14	14
Fastening material 1)	Composite anchor M 10												

1) not included

16. Materials

To produce our components and accessories, we primarily use the following materials:

16.1 Frames, shutters, consoles, and floor pedestals

Steel – galvanized		Material number 1.0037/S235JR
Stainless steel		Material number 1.4301/AISI 304
Stainless steel		Material number 1.4571/AISI 316Ti
Aluminium	(AlMg3)	Material number 3.3535/EN AW-5754
Cast iron	(GG25)	Material number GJL250

Other materials available on request.

16.2 Screws and washers on request

St – galvanized
A2
A4

Other materials available on request.

16.3 Seals

EPDM/APTK – Ethylene – Propylene – Terpolymer – Rubber
NBR – Acrylonitrile – Butadiene – Rubber
CR – Neoprene – Polychloroprene – Rubber

Other materials available on request.

16.4 Spindles

Stainless steel	(V2A)	Material number 1.4301/AISI 304
Stainless steel	(V4A)	Material number 1.4571/AISI 316Ti

Other materials available on request.

16.5 Spindle nuts

Gunmetal – Material number – RG7 2.1090 – RG7 – Cu Sn 7 Zn Pb

16.6 Slideways

PA – Polyamide
PE – Polyethylene
POM – Polyoxymethylene
Gunmetal – Material number – RG7 2.1090 – RG7 – Cu Sn 7 Zn Pb

Other materials available on request.

16.7 Anchors

WIEROM only uses anchors made of rust-resistant material and approved by the building authorities. Always order anchors separately.