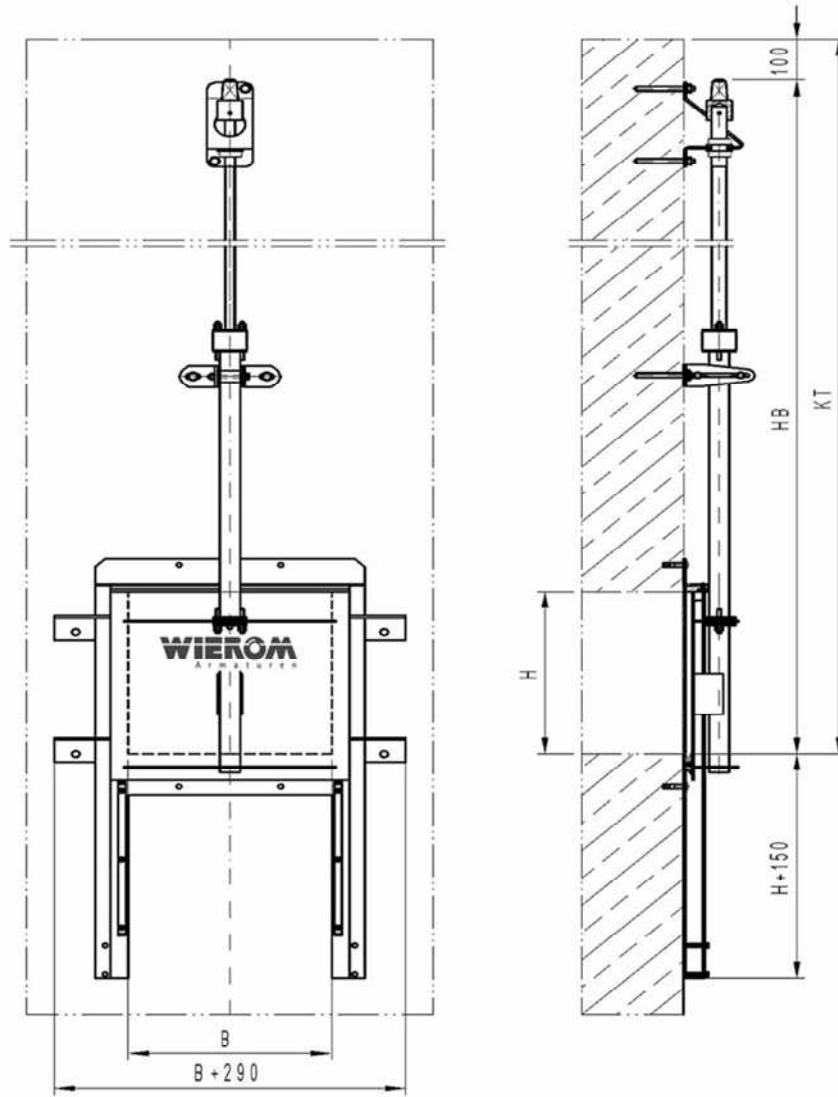
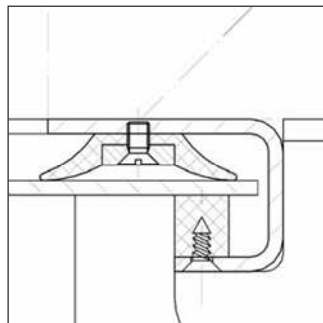


WIEROM Lowering gate – ABS

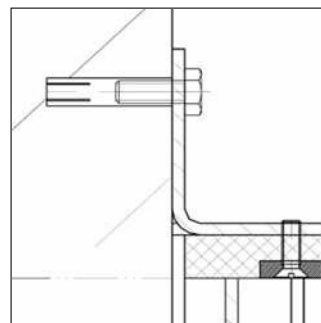
8. WIEROM Lowering gate – ABS



Detail: Side frame



Detail: Crown sheet



8.1 Application

Shut-off and control valve for closed, rectangular channels or openings.

OPEN – SHUT and CONTROL – function. Water pressure can be exercised both on the front and the rear.

8.2 Design properties

Canted U-shaped profile frame with lateral fastening straps for anchor attachment to a level concrete wall. Shutter reinforced to match the stress level. Replaceable, wrap-around profile gasket inside the frame. Seal pressing via sliding rails. The sealing between the frame and the construction is provided by a one-sided self-adhesive cellular rubber seal (included in delivery). Please order fastening material separately.

Actuation by trapezoidal thread spindle.

8.3 Rated widths

200 x 200 – 2,000 x 1,500 mm. **Larger dimensions available on request.**

8.4 Drives

For our selection of drive systems, see the following chapters

15.1 – Drive inside the shaft – AS

15.2 – Floor pedestal drive systems – AF

15.3 – Crosshead drives – AT

